

PRODUCT INFORMATION

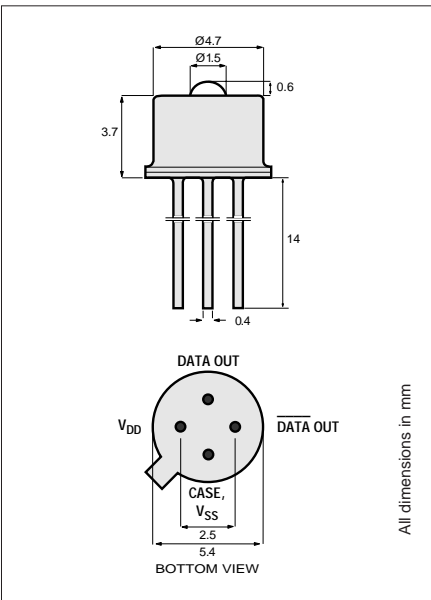
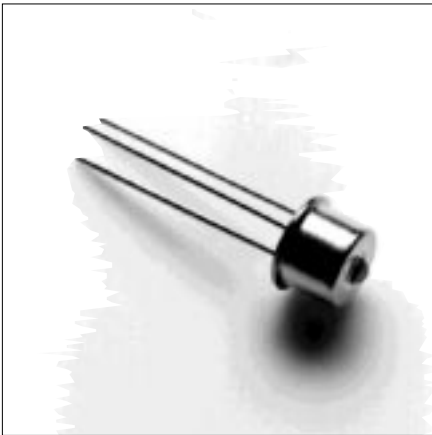
850nm

8C449
PIN/Preamp

Datacom, General Purpose, Analog Applications

PRELIMINARY/β

This device consists of a PIN photodiode and a transimpedance amplifier assembled in a TO-46 package. It is designed for short-distance ATM up to 155 Mbps. The preamplifier's linearity and absence of automatic gain control makes it ideal also for analog applications and applications with bursty signals. Its double-lens optical system is designed for single-mode fiber as well as for multimode fiber with core diameter up to 62.5μm.



TO-46 Package With Lens

Optical and Electrical Characteristics (25°C Case Temperature)

PARAMETER	SYMBOL	MIN.	TYP.	MAX.	UNIT	TEST CONDITION
Responsivity, single ended differential	R	3 6	5 10	8 16	kV/W	$\lambda=850$ nm $P_f=10$ μW
Bandwidth (3dB _{el})	f_c	100	175		MHz	
Noise-Equivalent Power	NEP			65	nW	$\lambda=850$ nm
Sensitivity (BER 10 ⁻⁹)	S		-34		dBm	$\lambda=850$ nm Extinction Ratio=0
Dynamic Range			25		dB	
Output Resistance (differential)	R_O		50		Ω	
Power Supply Current	I_{DD}			35	mA	

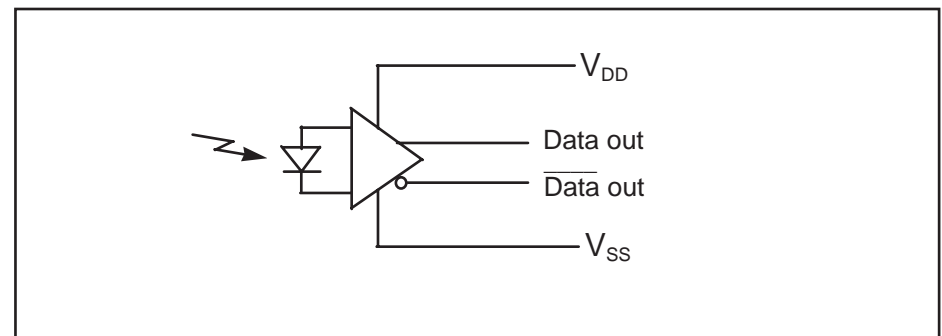
Operating Conditions: See table below. Fiber: Single-mode to multimode 62.5/125μm.

Absolute Maximum Ratings

PARAMETER	SYMBOL	MIN.	MAX.	UNIT
Supply Voltage	$V_{DD}-V_{SS}$	0	6.0	V
Operating Temperature	T_{op}	-40	85	°C
Storage Temperature	T_{stg}	-55	125	°C

Recommended Operating Conditions

PARAMETER	SYMBOL	MIN.	TYP.	MAX.	UNIT
Supply Voltage	$V_{DD}-V_{SS}$	4.5	5.0	5.5	V
Output Differential Load	R_L	1	3		kΩ



Functional schematic

13540.11 1998-02-04



Europe: Tel (46) 8 58 02 45 00 Fax (46) 8 58 02 01 10
 Tel (44) 1291 436180 Fax (44) 1291 436771

America: Tel 1-800-96MITEL Fax (613) 592-6909
 Asia: Tel (65) 293 5312 Fax (65) 293 8527